



CT23CV07

Double/Single DIN Fitting Kit for Chevrolet Vehicles



IN THE KIT

- Double DIN Fascia Panel
- Radio Brackets
- Single DIN Pocket
- 4x Screws
- 4x Panel Clips

APPLICATION

Note: Application data is subject to change at any time

Chevrolet Aveo/Sonic (T300)

2011 - 2016

FEATURES

- Allows for the installation of a double/single DIN aftermarket stereo
- Includes mounting brackets and accessories
- Finished in black to match vehicle dashboard

DISCLAIMER

The information provided in this document is subject to change without notice due to manufacturer changes and/or improvements to the product/s. This instruction manual is based on documented data and research. The manufacturer of this product cannot be held responsible for any changes made to the vehicle by the manufacturer or damages that may occur through the installation of this product in accordance with the steps outlined herein.

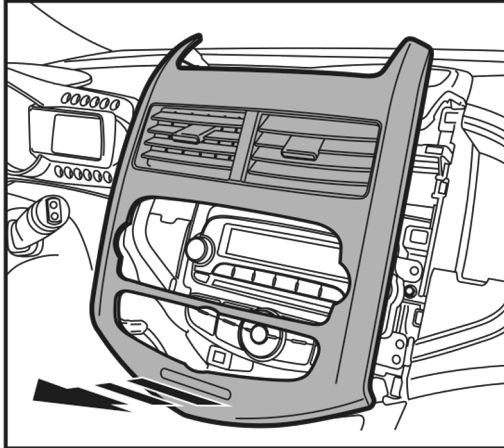
PRIOR TO INSTALLATION

Read the manual prior to installation. Technical knowledge is necessary for installation. The place of installation must be free of moisture and away from heat sources. Please ensure that the correct tools are used during the installation to avoid damage to the vehicle or product. **Connects2 can not be held responsible for the installation of this product.**

INSTALLATION GUIDE

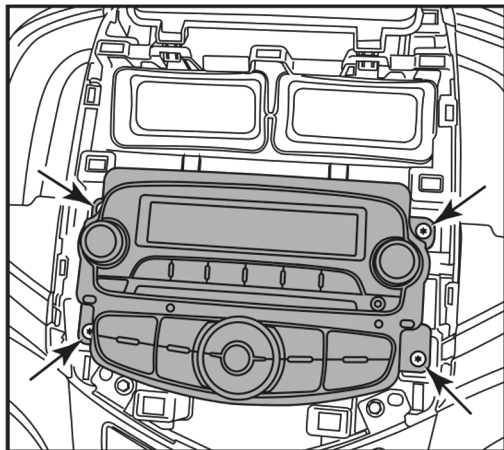
DASH DISASSEMBLY

1.



Begin by using a panel removal tool to unclip the main fascia panel. Once free, remove fully from the dashboard.

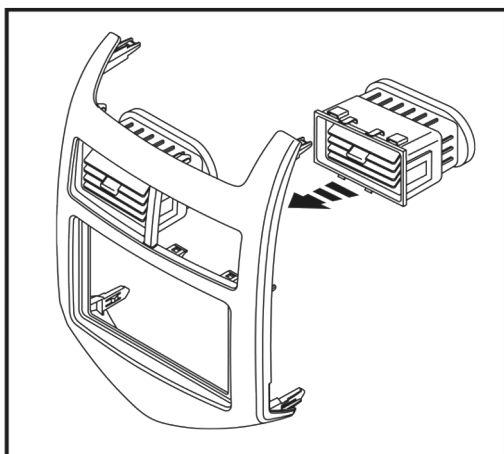
2.



With the main fascia out of the way, proceed to undo the 4x screws that secure the main head unit in place. Once free, pull it out of the dash and disconnect all of the wiring.

KIT PREPARATION

3.



Take the original fascia in hand and use a panel removal tool to unclip the 2x air vents. Then proceed to implant these air vents into the appropriate ports on the CT23CV07 fascia.

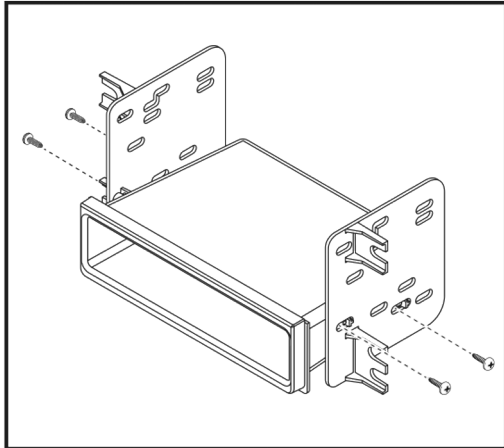
In addition, attach the 4x panel clips that come within the kit to the rear of the new fascia.

INSTALLATION GUIDE

KIT ASSEMBLY

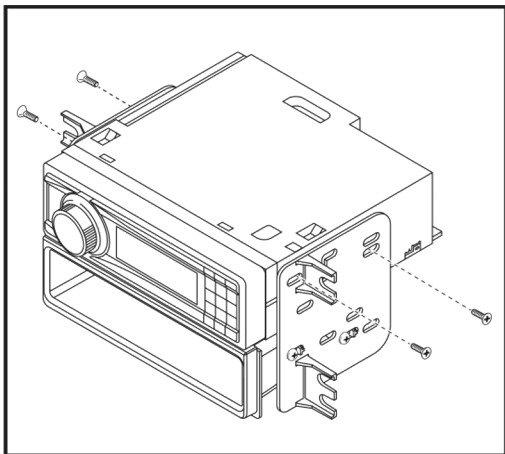
Single DIN Installations

4.



When installing a single DIN radio, take the brackets and 2x of the screws and attach them to either side of the pocket found within the kit. The location (top or bottom) is dependent on the consumer.

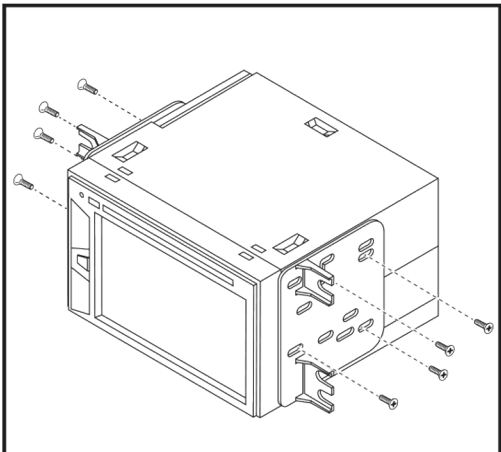
5.



With the pocket roughly attached, take the new radio and place it into the remaining area in between the brackets and screw it into place using the 2x left over screws. Ensure that the metal sleeve has been removed from around the radio before screwing into place.

Double DIN Installations

6.



When installing a double DIN radio, take the brackets and all 4x screws from within the kit and attach them to the relevant sides of the radio.

When affixing the brackets, it is best to test fit to gauge the correct depth, then when happy, screw the brackets on firmly.

7.



Once the brackets have been adjusted, proceed to install the head unit into the original aperture using the pre-existing screws. Once in place, place the new fascia over top to complete the installation.

NOTES
