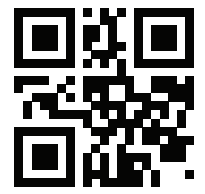


AUDIOPHILE ACOUSTICS



B2[®]

SWEET LIKE DANISH

RAMPAGE 801 / 02

OWNER'S MANUAL

MODEL: RAMPAGE801

MODEL: RAMPAGE802

PRODUCT ID: RAM8D120

PRODUCT ID: RAM8D220

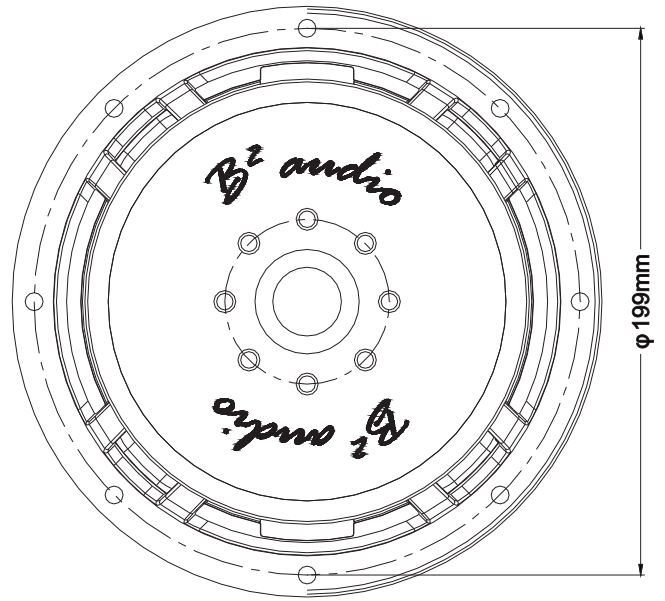
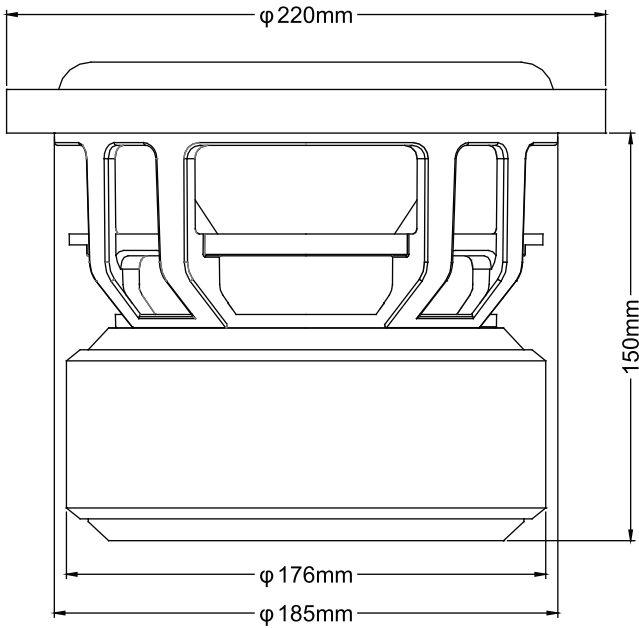
WWW.B2AUDIO.COM / WWW.FACEBOOK.COM/B2AUDIO





SWEET LIKE DANISH

MODEL: RAMPAGE8 D1/D2



MODEL:	RAMPAGE 8 D1	RAMPAGE 8 D2
Sensitivity:	86.2 dB	83.6 dB
Nominal Impedance:	Dual 1 Ω	Dual 2 Ω
DC Resistance (DC):	1 Ω	1.9 Ω
Voice Coil Dim:	2"	2"
Power Handling*:	1000 Watts	1000 Watts
Peak Dynamic Power:	2000 Watts	2000 Watts
XMAX one way (mm):	20	20
VAS:	6.1 L	6.4 L
FS:	36 Hz	34.5 Hz
QES:	0.48	0.42
QMS:	5.83	6.66
QTS:	0.44	0.39
CMS:	110 um/N	120 um/N
MMS:	160 g	169.1 g
BL²/RE:	75.6	92.6
Magnet:	300 Oz	300 Oz
Displacement:	3.3 L / .115 cu.ft	3.3 L / .115 cu.ft

TYPE	ENCLOSURE SUGGESTIONS			
	SEALED	PORTED COMPACT	PORTED	BP 4TH
RAMPAGE8D1	8.5 L / .3 cu.ft Qtc 0.42	15 L / 0.53 cu.ft P: 2" L: 7.16" / 18.2 cm FB: 42 Hz	28 L / 0.989 cu.ft P.A. 7.75 sq.in L: 13.34" / 33.9 cm FB: 38 Hz	3:1 Ratio
RAMPAGE8D2	8.5 L / .3 cu.ft Qtc 0.47	15 L / 0.53 cu.ft P: 2" L: 7.16" / 18.2 cm FB: 42 Hz	28 L / 0.989 cu.ft P.A. 7.75 sq.in L: 13.34" / 33.9 cm FB: 38 Hz	3:1 Ratio

*It's essential that our speakers are given time to allow the suspension to soften up. Depending on use, this may take several weeks. While this process is undergoing, it is not recommended to apply full amplification power according to the speaker's specs. Once the moving parts have been broken in, the performance of your speaker will increase. Abuse of the unit is **not** covered by warranty. The warranty does not cover (1) Speakers that have been used for spl purpose in competitions, (2) Damage caused by amplifier clipping or distortion, (3) Exposure to water, oil, solvent & excessive temperatures +/- (5) Cost of shipping to / from authorized service center.