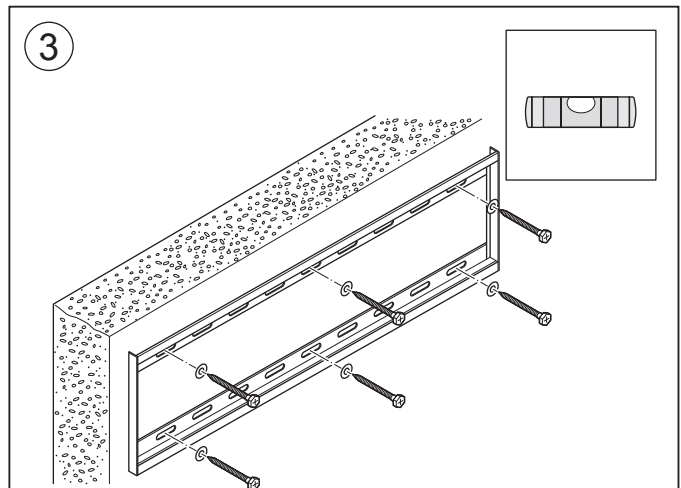
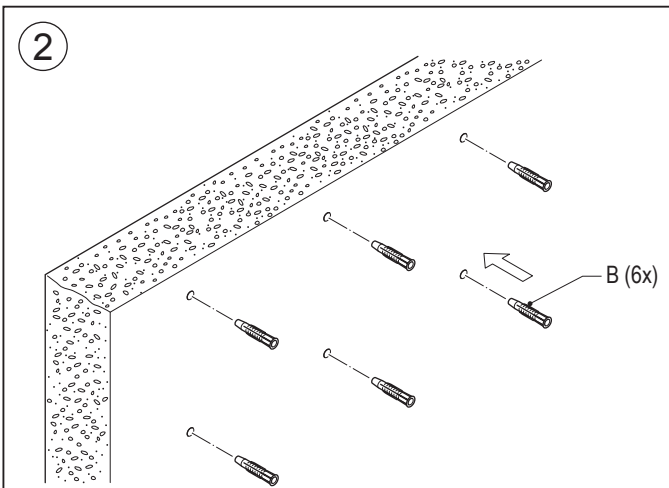
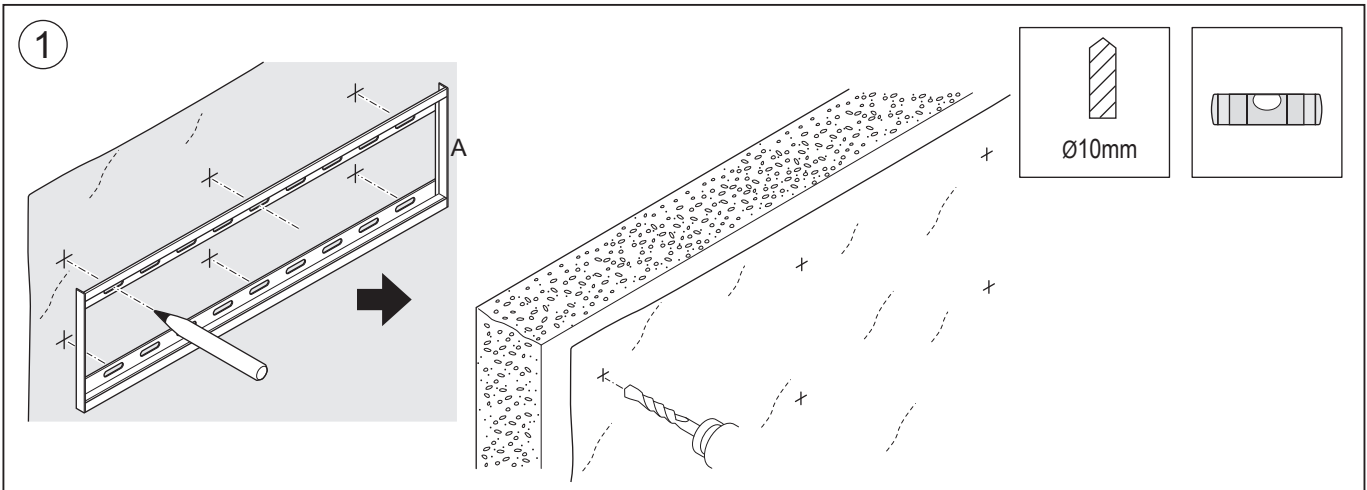
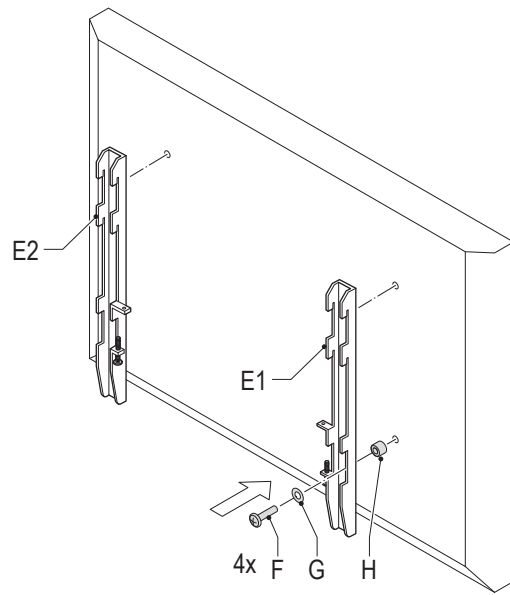


<p>A (1x)</p>	<p>B (6x)</p>	<p>E1 (1x)</p>	<p>E2 (1x)</p>	<p>F (4x)</p> <p>M5x12 M5x20 M6x12 M6x25 M8x16 M8x30</p>	<p>G (4x)</p> <p>M5 M8</p>
	<p>C (6x)</p>			<p>(1x)</p>	<p>H (8x)</p> <p>Ø15xØ8x10</p>
	<p>D (6x)</p>				



4



5

